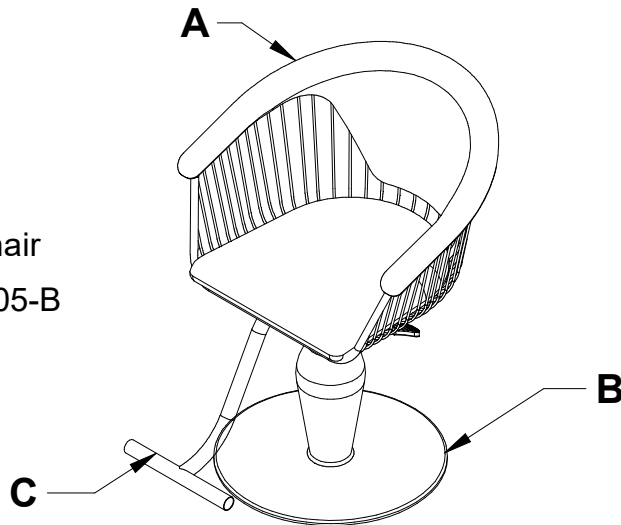




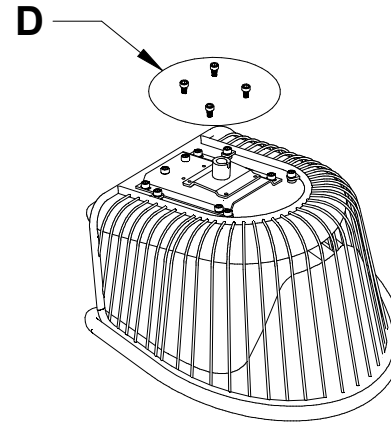
Assembly Instructions

Corvino Chair
MN-PLU-005-B

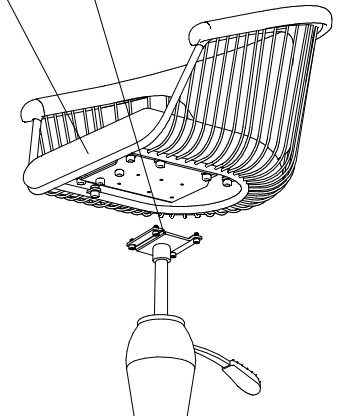


1 ! ALWAYS KEEP HYDRAULIC BASE UPRIGHT. THE HYDRAULIC SHOULD NOT BE STORED OR TURNED UPSIDE-DOWN !

- 1) Locate the chair top (A) and find the black mounting bracket underneath. You may CAREFULLY set the chair top on its side to complete this.
- 2) Remove the 4 bolt/washer sets (D) on the raised portion of the main bracket and set them aside, leaving the washers on the bolts.



- 2**
- 1) Align the bracket on the base with the 4 rear holes in the bracket on the chair top. Pump the hydraulic up higher if necessary to see underneath.
 - 2) Ensure the higher part of the base bracket faces toward the front of the chair seat as shown.
 - 3) Secure the base to the chair top with 4 bolt/washer sets (D)



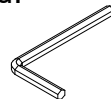
PART LIST*

Part	Qty.	Description
A	1	Chair top
B	1	Base and hydraulic
C	1	Footrest bar
D	6	Bolt + washer + lock washer

*All bolt/ washer sets are already in the brackets and footrest.

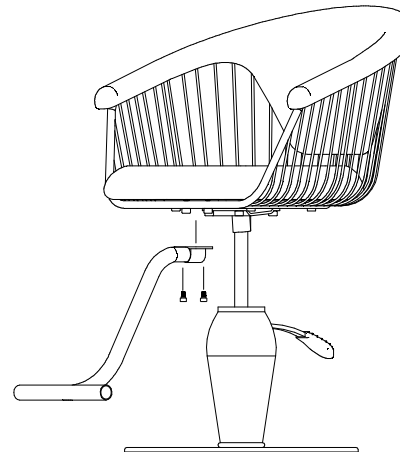
Open all boxes to check for parts before beginning assembly

Tools required:
Allen wrench (included)



3 Attach the footrest bar to the main bracket mounting sheet with 2 holes.

Assembly is now complete.



4 Enjoy your new chair
Remember to always keep the hydraulic upright. Also be sure not to stand solely on the footrest.

It is good to pump the hydraulic to full height and back down several times right after assembly to prime the hydraulic fluid. This will keep the pump smooth and responsive.

Note that short quick pumping is more effective than pressing the lever all the way down each time.

If you have any questions or problems during assembly please call our customer service at 1.888.332.0123

Thanks for choosing Minerva!